

AQUALISA

AQUAVALVE 609

THERMO CONCEALED

MIXER SHOWER



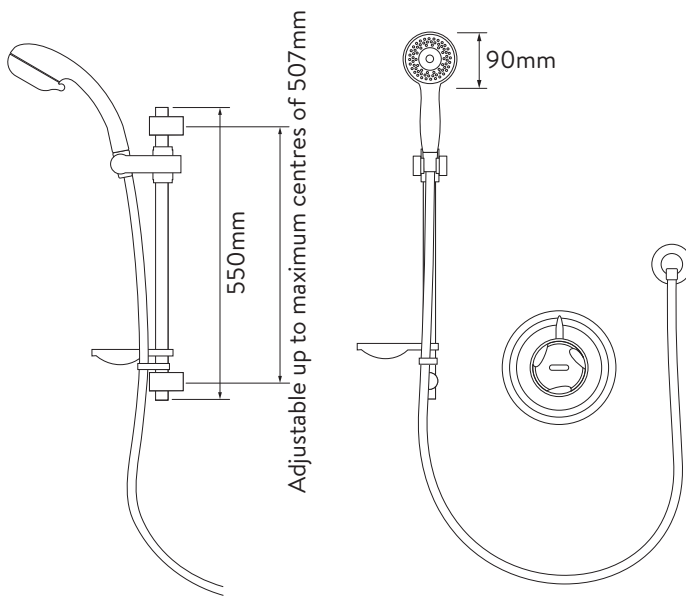
CHROME

.....

DIMENSIONAL DRAWINGS

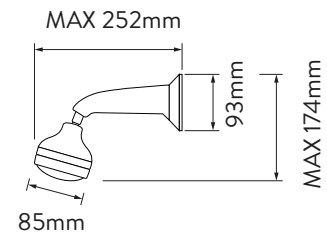
(The above SKU doesn't come with the heads shown as standard)

ADJUSTABLE HEAD

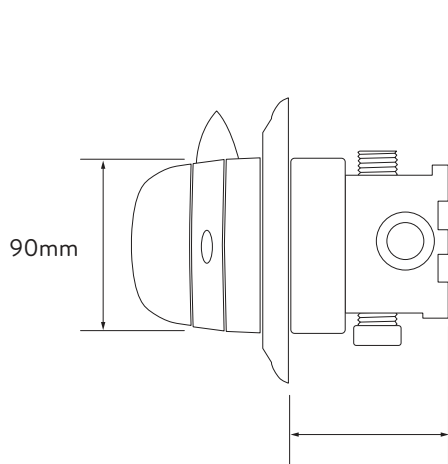


99.40.01 (VARISPRAY)
99.20.01 (TURBOSTREAM)

FIXED HEAD



99.50.01 (VARISPRAY)
99.30.01 (TURBOSTREAM)



Distance from back face of valve to finished wall surface
(includes 10mm allowance for tiles) MIN 60mm, MAX 100mm

AQUALISA

AQUAVALVE 609 THERMO CONCEALED MIXER SHOWER

C609.01T

CHROME

TECHNICAL SPECIFICATIONS

Minimum pressure requirements	0.1 bar
Maximum pressure requirements	10 bar
Inlet fitting connections	15mm push fit
Inlet supply positions	Hot/left, cold/right
Outlet connections	15mm
Valve inlet centres	150mm
Supply temperature	5 - 20°C Cold Supply 55 - 65°C Hot Supply
Water system	Gravity, Boosted Gravity, Combi and Balanced High Pressure
Features	Easy clean nozzles
	Rotating spray selector
	Pinch grip slider
	On/off control
	Temperature control
	Temperature override button
Colour	Chrome
Guarantee period	3-year guarantee