

# AQUALISA

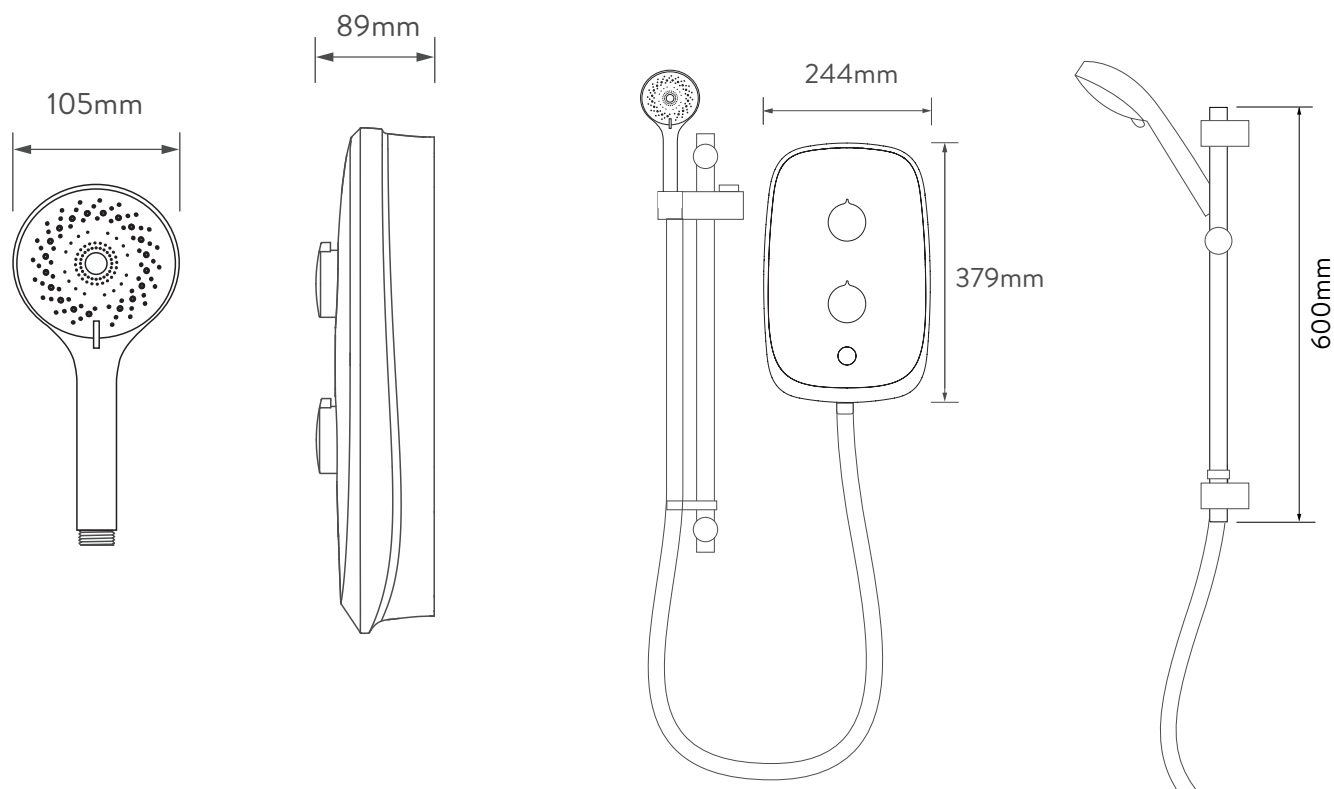
## eMOTION™

### ELECTRIC SHOWER

ELECTRIC 8.5KW / 9.5KW / 10.5KW WITH ADJUSTABLE HEAD  
 - MIDNIGHT BLACK / SPACE GREY / ARCTIC WHITE  
 - CHROME PLATED

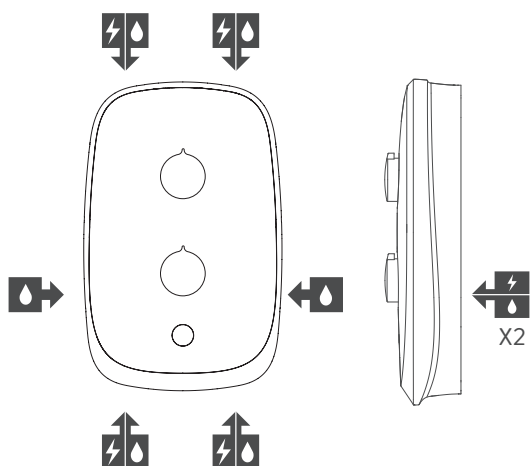
MIDNIGHT BLACK	8.5KW	MOBC85
	9.5KW	MOBC95
	10.5KW	MOBC105
ARCTIC WHITE	8.5KW	MOWC85
	9.5KW	MOWC95
	10.5KW	MOWC105
SPACE GREY	8.5KW	MOGC85
	9.5KW	MOGC95
	10.5KW	MOGC105

#### DIMENSIONAL DRAWINGS



#### CONNECTIONS

⚡ ELECTRICAL  
 💧 WATER



The company reserves the right to alter, change or modify the product or product specifications without prior warning. Please refer to the installation guides for technical information.

# AQUALISA

## eMOTION™

### ELECTRIC SHOWER

ELECTRIC 8.5KW / 9.5KW / 10.5KW WITH ADJUSTABLE HEAD  
 - MIDNIGHT BLACK / SPACE GREY / ARCTIC WHITE  
 - CHROME PLATED

MIDNIGHT BLACK	8.5KW	MOBC85
	9.5KW	MOBC95
	10.5KW	MOBC105
ARCTIC WHITE	8.5KW	MOWC85
	9.5KW	MOWC95
	10.5KW	MOWC105
SPACE GREY	8.5KW	MOGC85
	9.5KW	MOGC95
	10.5KW	MOGC105

#### TECHNICAL SPECIFICATIONS

Power	8.5KW / 9.5KW / 10.5KW
Minimum pressure	0.085 MPa (0.85 bar) Recommended: 1 bar
Maximum pressure	1.0 MPa (10 bar)
Recommended maximum pressure	3 bar
Water entry points	Right hand side and left hand side: top, bottom, side and rear
Cable entry points	Right hand side and left hand side: top, bottom and rear
Inlet fitting connections	15mm compression or push fit elbow
Outlet fitting connections	1/2" BSP thread
Electric requirements	Supply voltage 230 – 240V, MCB rating : 8.5KW and 9.5KW - 40A 10.5KW - 45/50A
Water system	Mains cold system
Features	Digital temperature display
	Push button start/stop
	Rotary controls (power control rotary control)
	Safety features: Phased shut down, Over temperature protection
	Low pressure indicator
	Stainless steel hose
	105mm handset, 5 spray patterns (splash or flow handset)
Colour	Midnight Black / Space Grey / Arctic White
Trim colour	Chrome Plated
Guarantee period	Shower unit – 2 years
	Shower head and kit – 2 years
Approvals	CE Marking
	BEAB
	European Water Label
	ERP Directive
	WRAS